

Precision-Aire™ Pneumatic Leveling Mounts (PLM)

PLM mounts provide low frequency vibration and shock control for surface plates, coordinate measuring machines, fans, air compressors, motor/generator sets, high-speed punch presses and more.

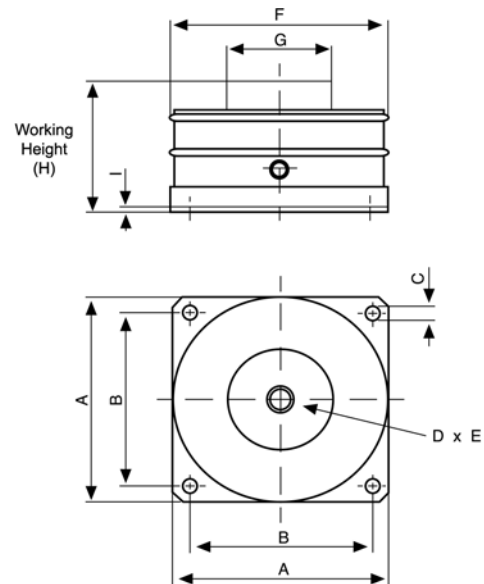
The Fabreeka PLM series pneumatic isolation mounts are low frequency vibration and shock isolators that provide both attenuation of disturbing vibration and equipment leveling.

For vibration control applications, the pneumatic (pressurized) portion of these mounts provides significant reduction of vibration amplitudes occurring at frequencies above 5 Hz, having a natural frequency as low as 3 Hz.

PLM isolation mounts will also continue to isolate with no pressure having a vertical natural frequency of approximately 10 Hz, isolating frequencies above 14 Hz.

The vertical to horizontal natural frequency ratio is approximately 1:1 with a high degree of horizontal stability.

For shock or impact applications, the outer elastomeric wall construction provides a high deflection shock mount. A low natural frequency (3 Hz) can be maintained by utilizing an external spacer to prevent a “bottom out” condition.



At left, an electro-dynamic shaker that produces a force range of 18,000 lbf (80 kN) to 50,000 lbf (222 kN). This test equipment is installed on PLM mounts to reduce the vibration created during testing.

PLM Mount Specifications

Model	Dimensions										Max Load
	A	B	C	D*	E	F	G	H	I		
PLM 1	3.00 in 76 mm	2.38 in 60.5 mm	0.28 in 6.9 mm	0.375-16 M10	0.47 in 12.0 mm	2.88 in 73 mm	1.00 in 25 mm	2.50 in 65 mm	0.125 in 3.2 mm	100 lbs 45 Kg	
PLM 3	4.19 in 106 mm	3.50 in 89 mm	0.28 in 6.9 mm	0.500-13 M12	0.53 in 13.5 mm	4.14 in 105 mm	1.75 in 44 mm	2.45 in 65 mm	0.125 in 3.2 mm	300 lbs 136 Kg	
PLM 6	5.12 in 130 mm	4.25 in 108 mm	0.29 in 7.4 mm	0.500-13 M12	0.53 in 13.5 mm	4.99 in 127 mm	2.13 in 54 mm	3.50 in 90 mm	0.125 in 3.2 mm	600 lbs 272 Kg	
PLM 12	6.88 in 175 mm	6.00 in 152 mm	0.29 in 7.4 mm	0.500-13 M12	0.53 in 13.5 mm	6.74 in 171 mm	3.00 in 76 mm	3.50 in 90 mm	0.125 in 3.2 mm	1200 lbs 544.3 Kg	
PLM 24	10.0 in 254 mm	8.50 in 216 mm	0.56 in 14.2 mm	0.625-11 M16	0.75 in 19.0 mm	9.66 in 245 mm	4.75 in 138 mm	3.50 in 90 mm	0.188 in 4.8 mm	2400 lbs 1089 Kg	
PLM 48	13.50 in 343 mm	12.00 in 305 mm	0.56 in 14.2 mm	0.625-11 M16	0.75 in 19.0 mm	13.31 in 338 mm	7.50 in 190 mm	3.50 in 90 mm	0.188 in 4.8 mm	4800 lbs 2177 Kg	
PLM 96	18.50 in 470 mm	16.00 in 406 mm	0.81 in 20.6 mm	1.000-14 M24	0.88 in 22.4 mm	18.44 in 468 mm	10.50 in 267 mm	3.50 in 90 mm	0.250 in 6.4 mm	9600 lbs 4354 Kg	
PLM 192	24.00 in 610 mm	20.00 in 508 mm	0.81 in 20.6 mm	1.000-14 M24	0.88 in 22.4 mm	24.00 in 610 mm	15.75 in 400 mm	3.50 in 90 mm	0.250 in 6.4 mm	19200 lbs 8709 Kg	

*Metric threads available upon request. Verify actual dimensions with Fabreeka.