

# V1H-6000 V1H-6100

Natural frequency : (1)  
12 to 18 Hz



## DESCRIPTION

The V1H-6000 and V1H-6100 steel mounts have a mounting plate, a cover and a swaged steel shaft.

They are available with stainless steel or mild steel zinc plated metalwork.

The resilient parts are stainless steel wire cushions.

The steel parts are zinc plated.

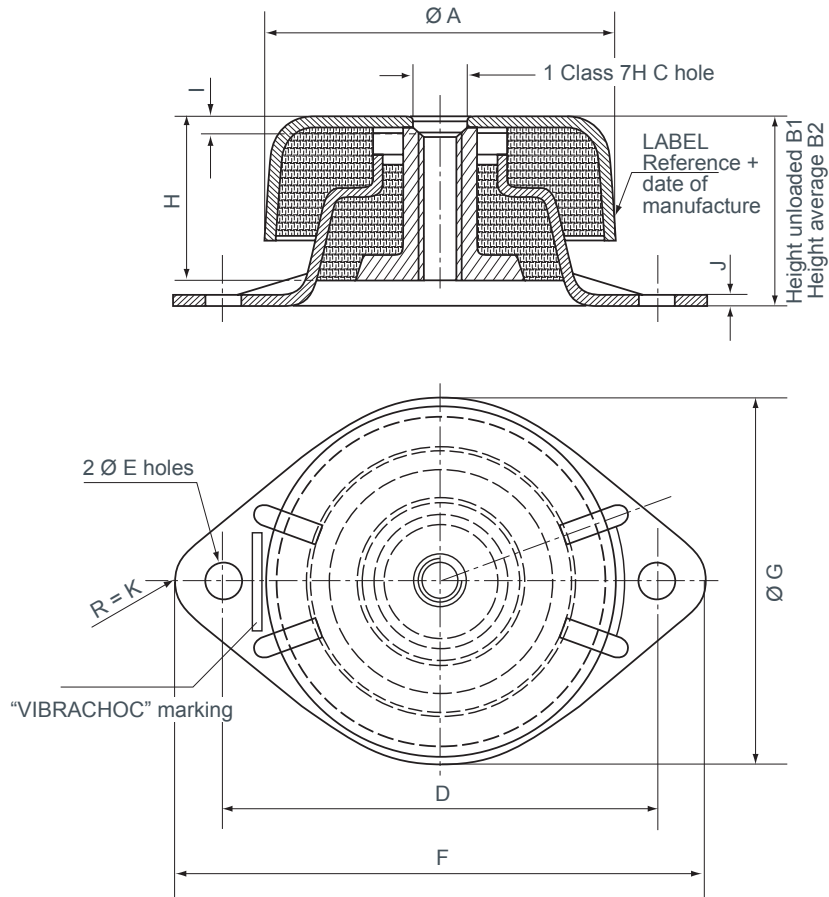
## APPLICATIONS

The V1H-6000 and V1H-6100 mounts have a natural frequency of between 12 and 18 Hz and are designed for suspending rotating machines, electronic cabinets, pipes, air conditioning systems, etc. Its all metal construction means that its characteristics do not deteriorate with time and it maintains its height under load, even in the most severe ambient conditions and temperatures.

The shape of the armature and upper cushion provide high radial performance and a structural strength of 3 g, making it suitable for mounting on board equipment on military ground vehicles and ships.

(1) Natural frequencies with max/min loads, see : OPERATING CHARACTERISTICS.

# DIMENSIONS

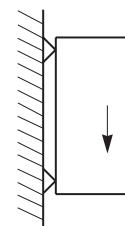


Reference	Ø A (mm)	B1 (mm)	B2 (mm)	C	D (mm)	Ø E (mm)	F (mm)	Ø G (mm)	H (mm)	I (mm)	J (mm)	K (mm)
V1H-6000*	105	62	57	M12	130	11	160	110	50	5	3	15
V1H-6100*	82	56	51	M10	98	9	120	85	46	3	2	11

\* load indice, see below.

# OPERATING CHARACTERISTICS

- Natural frequency :
  - axial } 12 to 18 Hz depending on the load.
  - radial }
- Structural strength : 3 g.
- Complies with GAMT13-MIL.STD. 167-1.
- Operating temperature : - 70°C to + 300°C.
- Amplification factor at resonance : < 4.



Mountings with radial load  
(Consult us)

Steel reference	Inox reference	Load range (daN)	Weight (kg)	Mac dynamic effort (daN)		
				Axial Compression	Axial traction	Radial
V1H-6100-21	V1H-6100-21NX	15 to 40	0,65	120	120	120
V1H-6100-01	V1H-6100-01NX	25 to 75		225	225	225
V1H-6100-02	V1H-6100-02NX	50 to 150		450	450	450
V1H-6100-03	V1H-6100-03NX	100 to 250		750	750	750
V1H-6000-21	V1H-6000-21NX	30 to 75	1,6	225	225	225
V1H-6000-01	V1H-6000-01NX	50 to 150		450	450	450
V1H-6000-02	V1H-6000-02NX	100 to 300		900	900	900
V1H-6000-03	V1H-6000-03NX	200 to 500		1500	1500	1500