

GB 530 MOUNTS

Natural frequency : (1)
5 Hz



DESCRIPTION

The GB530 comprises of one part in elastomer bonded to a base plate and a tapped steel core (a non magnetic version is also available).

Advantages

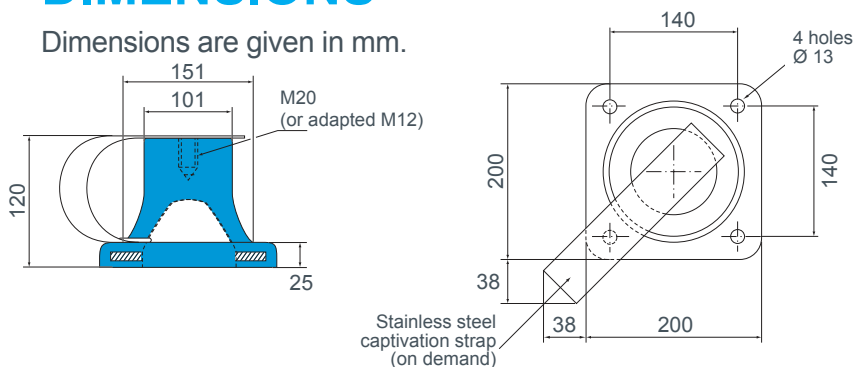
- Can provide high deflection under shocks.
- Long life.
- Low natural frequency (5 Hz in axial).
- Low amplification at resonance.(8 at 10)

APPLICATIONS

These are specific mounts created for the naval industry : on board electronics, radars, special weapons equipment.

DIMENSIONS

Dimensions are given in mm.



OPERATING CHARACTERISTICS

Paulstra reference	Barry Controls * reference	Load range (daN)
530901 21 00	GB530-NR1	7,5 - 75
530901 21 10	GB530-NR2	15 - 150
530901 21 20	GB530-NR3	25 - 250
530901 21 30	GB530-NR4	40 - 400
530901 21 40	GB530-NR5	60 - 600

Temperature range :
-30° C to + 70° C
Weight : 3 - 4 kg

* Barry Controls part numbers are given as a reference.

1) the indicated natural frequency, are valid for the maxi loads of the ranges of use quoted in the paragraph : TECHNICAL CHARACTERISTICS.